

INSTALLATION GUIDE

CRYOEVO[®]



CRYOMUST[®]



CRYOCAB[®]



Recommended Space

It is recommended to have a dedicated room for your cryotherapy cab

- Surface area of the cab has to be 9 m² minimum - (changing room being not included)
- The width of the access room cannot be below 0,88 meters
- The maximum distance between the nitrogen tank and the cab's door is 1,80 m
- Room temperature should be between 15°C and 35°C and room hygrometry maximum 65% - (Ideally 45%)

Technical Requirements (* see details at the end of the document)

- 1 power supply 230 v – monophasic 16 A (standard)
- 1 air extractor (capacity to be defined with our technical service according to the configuration of the room and the nitrogen storage) The suction needs to be positioned on the lower area (nitrogen heavier than the air) and the air inlet on upper area
- 1 oximeter detecting the rate of oxygen (in standard in our cabs)

For the CRYOEVO[®]

- 1 external outlet * Ø 100 mm to connect the cab CRYOEVO[®] with a flexible hose supplied by the producer. The extraction needs to be placed to a 2,10 m height

For the CRYOMUST[®] or CRYOCAB[®]

- 2 external outlets * Ø 100 mm to connect the cab with a flexible hose supplied by the producer. The extraction needs to be placed at 2,10 m height
- A place to put the control laptop near to the cab with a power plug
- The control laptop is connected to the cab with a RJ45 cable supplied

For remote maintenance (in option for CRYOEVO), 1 RJ45 plug category 5 or 6 with internet access located less than 10 meters from the cab, or an access via Wi-Fi

**Mandatory for all liquid nitrogen storage. To be checked with us according to the room volume and tank capacity*

Technical Specifications of the cab

Nominal power: 1,5 kW

Width: 860 mm (door closed) – 1500 mm (doors opened)

Depth: 1 400 mm

Height: 2 230 mm

Weight: 250 kg

Nitrogen consumption for the cold setting up at -110 °C: average 3 to 4 liters*

Nitrogen consumption during the session at -130 °C: average 3 to 4 liters *

* These consumption data are depending on the room humidity rate (40 to 60% humidity)

Session temperature of the cab: -90°C to -150°C

Cold setting up: average 3 to 4 liters

Session time: 1 to 3 min maximum

Details on installation required

Nitrogen evacuation outlet

1 to 2 **evacuation outlet** 100 mm diameter:

- To forecast on the wall and towards outside. **Extractor tubes needs to be placed with a minimum distance of 10 cm from the wall in order to connect our evacuation hoses**
- To be placed at 2m10 from the ground
- The cab will be connected to this or these outlet(s) with flexible evacuation pipes with a maximum length of 1,5 m. Please forecast if necessary, to provide a connection with PVC tubes with 100 mm diameter if your cab is located above 1,5 m from the wall

Network plugs

RG45 plugs with connectors category 5 or more:

For the CRYOMUST[®] or CRYOCAB[®]

2 plugs located near the rear of the cab (20 to 40 cm above the ground)

- P1: 1 plug for the connection from the cab to your internet box for the remote control
- P2: 1 plug for the connection from the cab to the control laptop

1 plug nearby the place where is put the control laptop

- P3: plug from the control laptop to the cab

These 3 network plugs will be connected towards the electrical cabinet of your room (star-shaped connection)

P1 to the box and P2 - P3 to the hub - It is possible to connect directly P2 to P3

For the CRYOEVO[®]

1 plug located near the rear of the cab (20 to 40 cm above the ground)

Electric plugs

- Nearby the cab: 1 supply 230V monophasic 16A (standard)
- For CRYOCAB[®] and CRYOMUST[®]: 1 supply 230 V for control laptop connection

Room air extractor

The extractor needs to be sized in collaboration with your nitrogen supplier

The room air intake needs to be placed on the nearest part of the ground (nitrogen being heavier than the air)

The air intakes planned in your room needs to be fitted with your installer and according to the power of your extractor. The air outlet pipes extracted towards outside have variable dimensions according to the power of the extractor (diameter 125 mm or +)

Please contact your installer

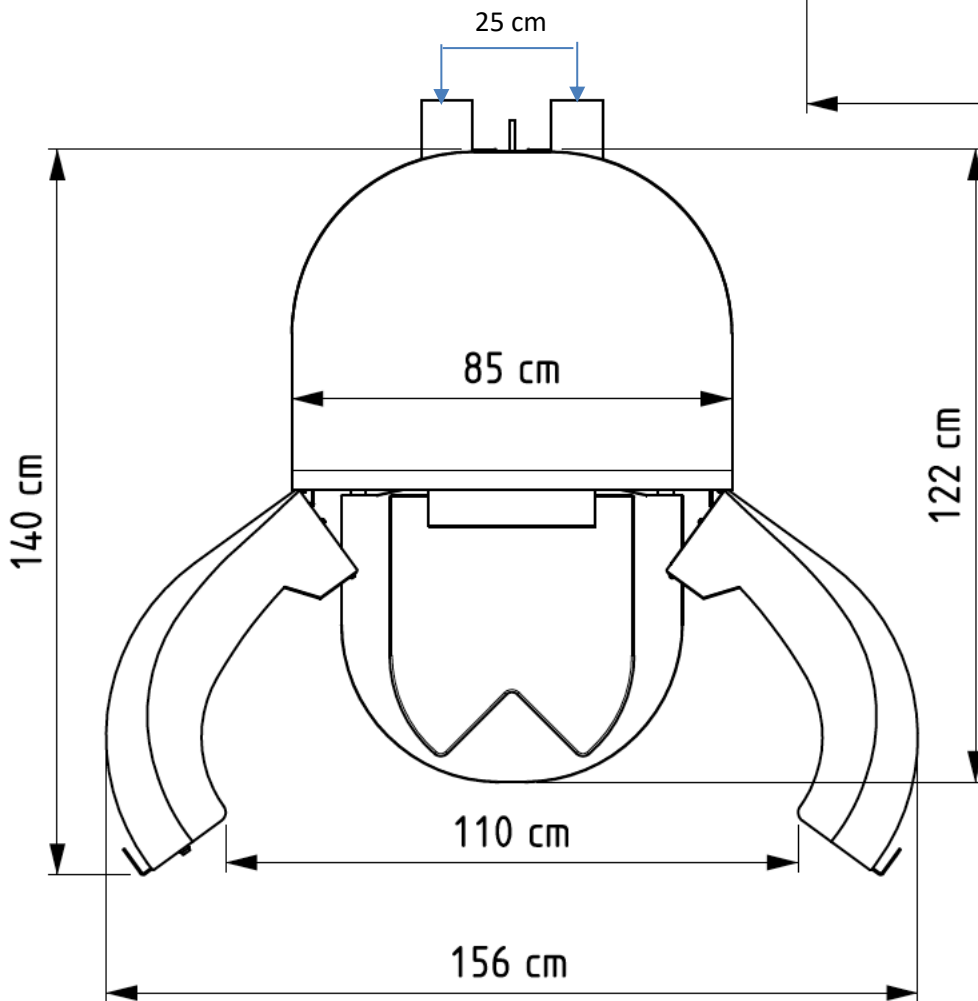
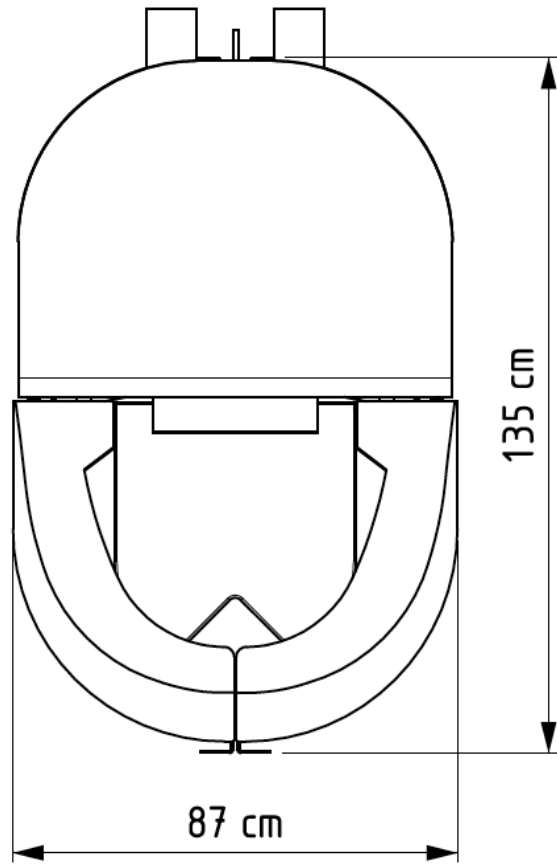
Optionally: outlet for nitrogen hose

In case of positioning the tank outside, it is necessary to forecast a hole allowing the flexible hose of the tank to be connected to the cab.

For an isolated hose such as the one forecast by CRYO MANUFACTURING, the hole to be done is 100 mm as well. It will be positioned to 1,2 from the ground.

CRYOEVO/MUST/CAB[®] 's floors space

Doors closed



Doors opened

CRYOEVO/MUST/CAB® 's dimensions

